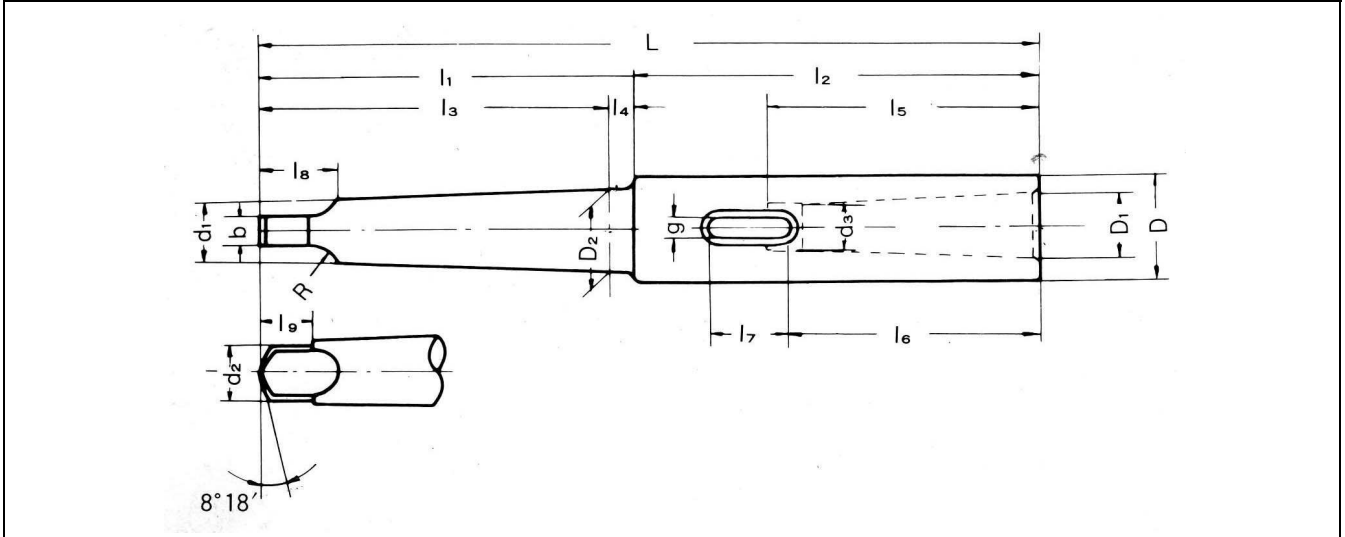




ドリルソケット

焼入研磨品



| 呼び 内側テーパ × 外側テーパ | D | D1 | D2 | d1 | d2 | d3 | g | b | L | l1 | l2 | l3 | l4 | l5 | l6 | l7 | l8 | l9 | R |
|---------------------|--------|--------|--------|--------|--------|------|------|-------|-------|-------|-------|-------|------|-----|-----|----|-------|-------|-------|
| 1 × 1 | 20 | 12.065 | 12.065 | 9.0 | 8.7 | 9.7 | 5.4 | 5.2 | 147 | 65.5 | 81.5 | 62.0 | 3.5 | 56 | 52 | 19 | 13.5 | 8.5 | 5 |
| 1 × 2 | | | 17.780 | 14.0 | 13.5 | | | 6.3 | 160 | 80.0 | 80.0 | 75.0 | 5.0 | | | | 16 | 10 | 6 |
| 1 × 3 | | | 23.825 | 19.1 | 18.5 | | | 7.9 | 180 | 99.0 | 81.0 | 94.0 | 6.5 | | | | 20 | 13 | 7 |
| 1 × 4 | | | 31.267 | 25.2 | 24.5 | | | 11.9 | 200 | 124.0 | 76.0 | 117.5 | 6.5 | | | | 24 | 16 | 8 |
| 1 × 5 | | | 44.399 | 35.5 | 35.7 | | | 15.9 | 235 | 156.0 | 79.0 | 149.5 | 6.5 | | | | 29 | 19 | 10 |
| 2 × 1 | 24 | 17.780 | 12.065 | 9.0 | 8.7 | 14.9 | 6.6 | 5.2 | 163 | 65.5 | 97.5 | 62.0 | 3.5 | 67 | 62 | 22 | 13.5 | 8.5 | 5 |
| 2 × 2 | | | 17.780 | 14.0 | 13.5 | | | 6.3 | 176 | 80.0 | 75.0 | 5.0 | 16 | | | | 10 | 6 | |
| 2 × 3 | | | 23.825 | 19.1 | 18.5 | | | 7.9 | 195 | 99.0 | 96.0 | 94.0 | 6.5 | | | | 20 | 13 | 7 |
| 2 × 4 | | | 31.267 | 25.2 | 24.5 | | | 11.9 | 220 | 124.0 | 117.5 | 6.5 | 24 | | | | 16 | 8 | |
| 2 × 5 | | | 44.399 | 36.5 | 35.7 | | | 15.9 | 253 | 156.0 | 97.0 | 149.5 | 6.5 | | | | 29 | 19 | 10 |
| 3 × 2 | 32 | 23.825 | 17.780 | 14.0 | 13.5 | 20.2 | 8.2 | 6.3 | 196 | 80.0 | 116.0 | 75.0 | 5.0 | 84 | 78 | 27 | 16 | 10 | 6 |
| 3 × 3 | | | 23.825 | 19.1 | 18.5 | | | 7.9 | 215 | 99.0 | | 94.0 | 6.5 | | | | 20 | 13 | 7 |
| 3 × 4 | | | 31.267 | 25.2 | 24.5 | | | 11.9 | 240 | 124.0 | 117.5 | 6.5 | 24 | | | | 16 | 8 | |
| 3 × 5 | | | 44.399 | 36.5 | 35.7 | | | 15.9 | 273 | 156.0 | 117.0 | 149.5 | 6.5 | | | | 29 | 19 | 10 |
| 3 × 6 | | | 63.348 | 52.4 | 51.0 | | | 19.0 | 335 | 218.0 | 210.0 | 8.0 | 40 | | | | 27 | 13 | |
| 4 × 2 | 44 | 31.267 | 17.780 | 14.0 | 13.5 | 26.5 | 12.2 | 6.3 | 221 | 80.0 | 141.0 | 75.0 | 5.0 | 107 | 98 | 32 | 16 | 10 | 6 |
| 4 × 3 | | | 23.825 | 19.1 | 18.5 | | | 7.9 | 240 | 99.0 | | 94.0 | 6.5 | | | | 20 | 13 | 7 |
| 4 × 4 | | | 31.267 | 25.2 | 24.5 | | | 11.9 | 265 | 124.0 | 117.5 | 6.5 | 24 | | | | 16 | 8 | |
| 4 × 5 | | | 44.399 | 36.5 | 35.7 | | | 15.9 | 298 | 156.0 | 142.0 | 149.5 | 6.5 | | | | 29 | 19 | 10 |
| 4 × 6 | | | 63.348 | 52.4 | 51.0 | | | 19.0 | 360 | 218.0 | 210.0 | 8.0 | 40 | | | | 27 | 13 | |
| 5 × 3 | 54 | 44.399 | 23.825 | 19.1 | 18.5 | 38.2 | 16.2 | 7.9 | 275 | 99.0 | 176.0 | 94.0 | 5.0 | 135 | 125 | 38 | 20 | 13 | 7 |
| 5 × 4 | | | 31.267 | 25.2 | 24.5 | | | 11.9 | 300 | 124.0 | | 117.5 | 6.5 | | | | 24 | 16 | 8 |
| 5 × 5 | | | 44.399 | 36.5 | 35.7 | | | 15.9 | 333 | 156.0 | 177.0 | 149.5 | 6.5 | | | | 29 | 19 | 10 |
| 5 × 6 | | | 63.348 | 52.4 | 51.0 | | | 19.0 | 395 | 218.0 | 210.0 | 8.0 | 40 | | | | 27 | 13 | |
| 6 × 5 | | | 84 | 63.348 | 44.399 | | | 36.5 | 35.7 | 54.8 | 19.5 | 15.9 | 391 | | | | 156.0 | 235.0 | 149.5 |
| 6 × 6 | 63.348 | 52.4 | | | 51.0 | 19.0 | 453 | 218.0 | 210.0 | | | 8.0 | 40 | 29 | 13 | | | | |
| 6 × 7 | 83.058 | 68.2 | | | 66.8 | 28.6 | 530 | 296.0 | 234.0 | | | 286.0 | 10.0 | 54 | 35 | 19 | | | |