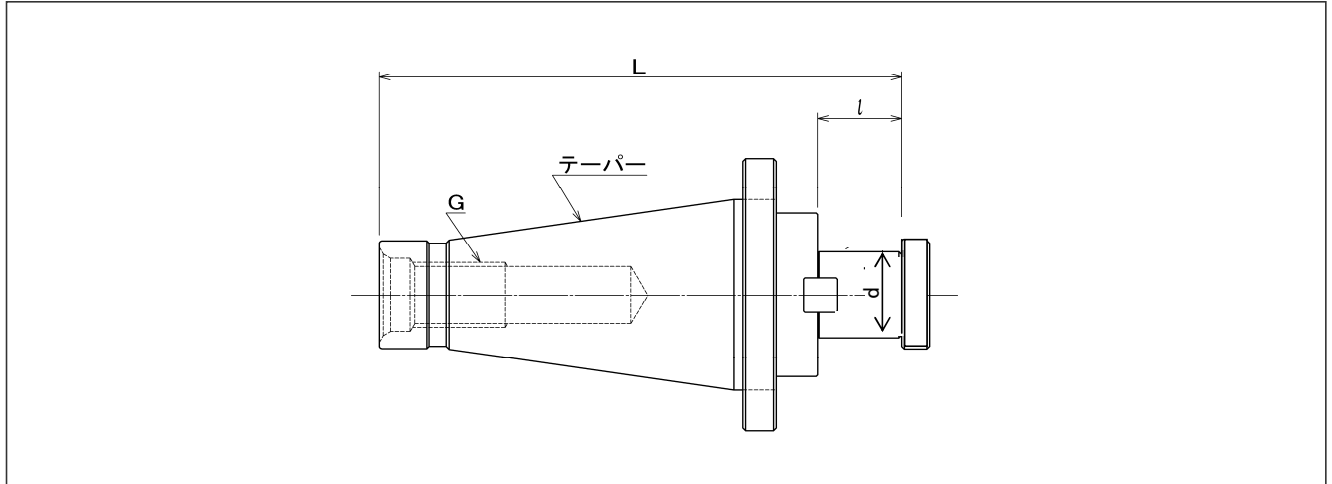




正面フライスカッターアーバー (NT)



(インチサイズ)

| CODE | NT | 使用 カッター | d | l | L | G |
|-------------------------------|------|------------|--------|----|-----|---------------------|
| FMA-NT30 $\frac{1}{2}$ " × 2" | NT30 | 2" | 22.225 | 17 | 102 | 1/2W 又は M12 |
| × 3" | | 3" | 25.4 | 22 | 114 | |
| × 4" | | 4" | 31.75 | 30 | 115 | |
| × 5" | | 5" | 38.1 | 34 | 126 | |
| FMA-NT40 $\frac{1}{2}$ " × 2" | NT40 | 2" | 22.225 | 17 | 140 | 5/8UNC 又は M16 |
| × 3" | | 3" | 25.4 | 22 | 135 | |
| × 4" | | 4" | 31.75 | 30 | 140 | |
| × 5" | | 5" | 38.1 | 34 | 144 | |
| × 6" | | 6" | 50.8 | 35 | 145 | |
| × 8" | | 8" 以上 | 47.625 | 38 | 158 | |
| FMA-NT50 $\frac{1}{2}$ " × 2" | NT50 | 2" | 22.225 | 17 | 168 | 1"UNC 又は M24 |
| × 3" | | 3" | 25.4 | 22 | 175 | |
| × 4" | | 4" | 31.75 | 30 | 184 | |
| × 5" | | 5" | 38.1 | 34 | 187 | |
| × 6" | | 6" | 50.8 | 35 | 187 | |
| × 8" | | 8" 以上 | 47.625 | 38 | 193 | |

(ミリサイズ)

| CODE | NT | 使用カッター | d | l | L | G |
|-------------------------------|------|--------|----|----|-----|---------------------|
| FMC-NT40 $\frac{1}{2}$ " × 16 | NT40 | 40 | 16 | 16 | 138 | 5/8UNC 又は M16 |
| × 22 | | 63 | 22 | 18 | 131 | |
| × 27 | | 80 | 27 | 21 | 135 | |
| × 32 | | 100 | 32 | 24 | 134 | |
| × 40 | | 125 | 40 | 26 | 136 | |
| FMC-NT50 $\frac{1}{2}$ " × 16 | NT50 | 40 | 16 | 16 | 176 | 1"UNC 又は M24 |
| × 22 | | 63 | 22 | 18 | 171 | |
| × 27 | | 80 | 27 | 21 | 173 | |
| × 32 | | 100 | 32 | 24 | 177 | |
| × 40 | | 125 | 40 | 26 | 176 | |

※ SECOカッター用。