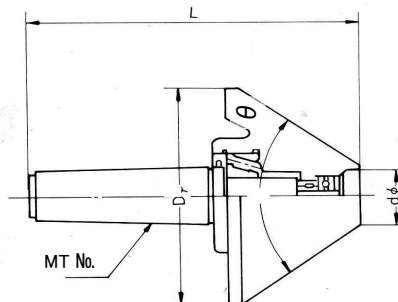


# 傘型回転センター 超硬メンセンター



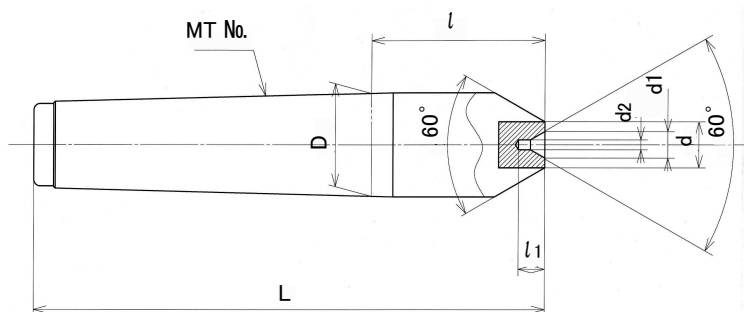
## 傘型回転センター



| 呼び    | MT No. | $\theta$ | d   | D     | L     | 質量<br>kg |        |        |
|-------|--------|----------|-----|-------|-------|----------|--------|--------|
| -1    | 1      | 70°      | 12  | 64    | 111.1 | 0.75     |        |        |
| -2    | 2      |          |     |       | 123.1 | 0.8      |        |        |
| -3A   | 3      |          |     |       | 19    | 75       | 136.9  | 1.1    |
| -3B   |        | 30       | 110 | 149.1 | 2.4   |          |        |        |
| -4A   | 4      | 75°      | 35  | 150   | 201.9 | 6.3      |        |        |
| -4B   |        |          |     |       | 90    | 200      | 205.7  | ◎ 16.8 |
| -4BB  |        |          |     |       | 32    | 150      | 228.9  | 7.2    |
| -5A   | 5      | 75°      | 90  | 200   | 232.7 | ◎ 17.0   |        |        |
| -5B   |        |          |     |       | 120   | 250      | 250.7  | ◎ 30.0 |
| -5BB  |        |          |     |       | 300   | 296.3    | ◎ 44.0 |        |
| -5BBB | 6      | 75°      | 120 | 200   | 286.7 | ◎ 20.6   |        |        |
| -6A   |        |          |     |       | 250   | 304.7    | ◎ 32.0 |        |
| -6B   |        |          |     |       | 300   | 350.3    | ◎ 47.5 |        |
| -6BB  | 7      | 75°      | 120 | 250   | 374.7 | 36.5     |        |        |
| -7    |        |          |     |       |       |          |        |        |

◎部 木箱梱包質量になります。

## 超硬メンセンター



| 呼び     | MT No. | D      | d  | d1 | d2  | l    | l1 | L   |
|--------|--------|--------|----|----|-----|------|----|-----|
| MT2-φ4 | MT2    | 17.780 | 8  | 4  | 1.5 | 36   | 4  | 100 |
| MT3-φ5 | MT3    | 23.825 | 10 | 5  | 2   | 44   | 5  | 125 |
| MT4-φ8 | MT4    | 31.267 | 14 | 8  | 3   | 52.5 | 8  | 155 |