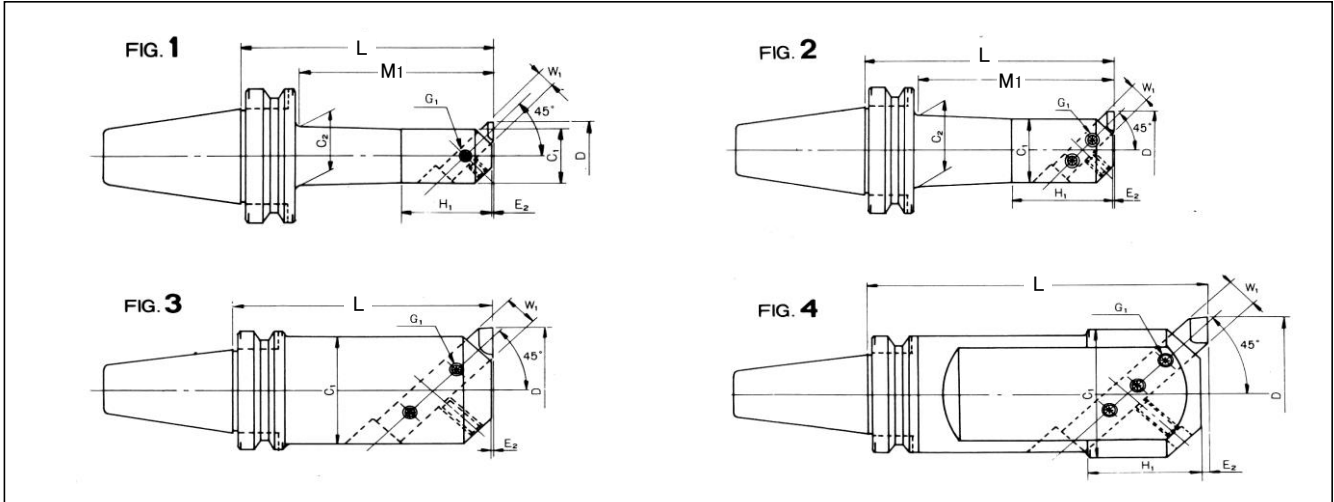


ATC 用ボーリングバー 角バイト傾斜式 A 型 (BSA)



CODE	FIG.	D		L	C ₁	C ₂	M ₁	H ₁	E ₂	W ₁	G ₁	質量 kg
		MIN	MAX									
BT40-BSA 25-135	1	25	38	135	20	22	105	35	1.0	8	M 6	1.5
BT40-BSA 30-150		30	42	150	24	26	120	40	1.6			
BT40-BSA 38-165		38	52	165	30	33	135	50	2.6			
BT40-BSA 50-165	2	50	65	210	40	44	180	65	3.0	13	M10	2.5
-BSA 50-210				210								3.0
BT40-BSA 62-165	3	62	90	165	50	56	195	80	2.0	16	M10	2.5
-BSA 62-225	2			225								4.5
BT40-BSA 72-165	3	72	110	165	60	-	-	95	2.4	19	M10	4.0
-BSA 72-225				225								5.5
BT40-BSA 90-165	4	90	125	165	75	-	-	60	4.0	19	M12	4.5
-BSA 90-210				210								5.5

CODE	FIG.	D		L	C ₁	C ₂	M ₁	H ₁	E ₂	W ₁	G ₁	質量 kg	
		MIN	MAX										
BT50-BSA 25-135	1	25	38	135	20	22	92	35	1.0	8	M 6	4.2	
BT50-BSA 30-165		30	42	165	24	26	122	40	1.6			4.4	
BT50-BSA 38-180		38	52	180	30	33	137	50	2.6			10	M 8
BT50-BSA 42-210		42	56	210	34	37	167	60	2.0	10	M 8	5.0	
BT50-BSA 50-180		50	65	180	40	44	137	65	3.0	13	13	M10	5.4
-BSA 50-240	240			197			5.7						
BT50-BSA 62-195	2	62	90	195	50	56	152	80	2.0	16	M10	6.2	
※ -BSA 62-240				240			197					7.4	
-BSA 62-270				270			227					7.6	
BT50-BSA 72-195		72	110	195	60	66	152	95	2.4	19	19	M10	7.0
※ -BSA 72-240				240			197						7.9
-BSA 72-285	285			242			9.3						
BT50-BSA 90-210	90	125	210	75	80	167	110	4.0	25	25	M12	9.2	
-BSA 90-300			300			257						12.3	
BT50-BSA105-195	3	105	160	195	90	90	-	-	3.0	25	M12	10.7	
-BSA105-285				285								15.0	
BT50-BSA130-255	4	130	190	255	108	-	-	85	6.0	25	M12	14.5	