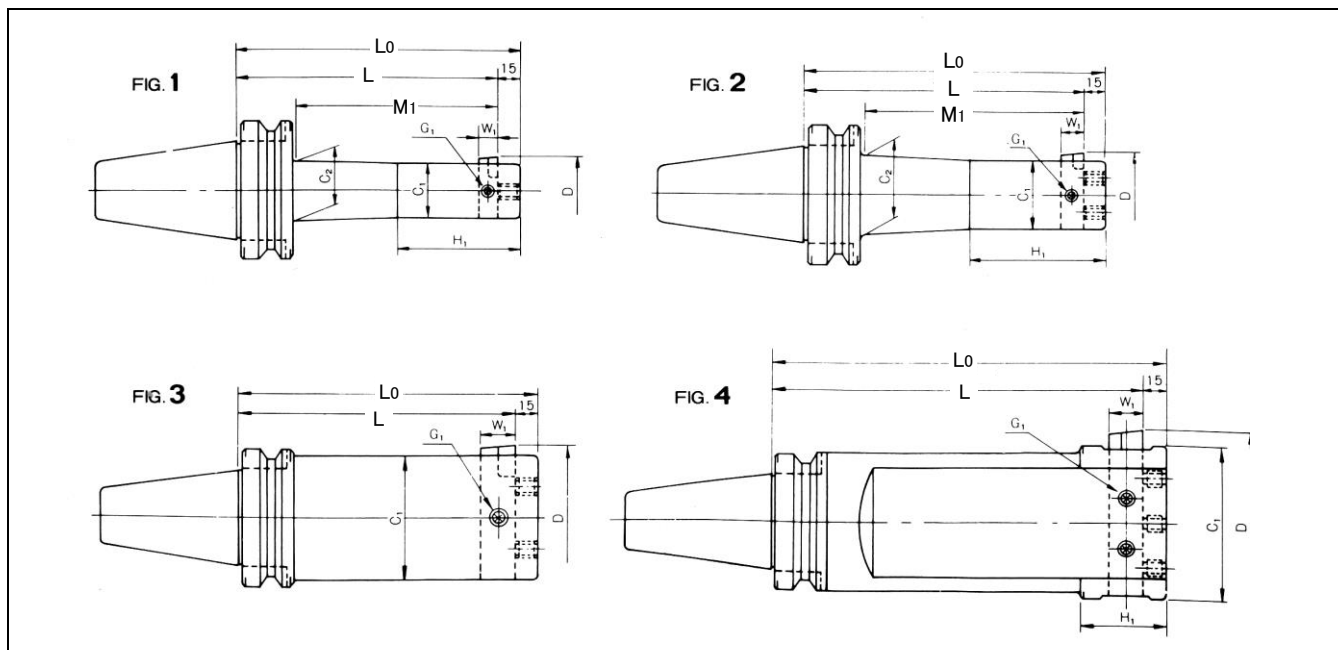




ATC 用ボーリングバー 角バイト直角式 B 型 (BSB)



CODE	FIG.	D		L	L0	M1	C1	C2	G1	H1	W1	質量 kg	
		MIN	MAX										
BT40-BSB 25-135	1	25	52	135	150	105	20	22	M 8	50	8	1.5	
BT40-BSB 38-165		38	70	165	180	135	30	33		70	10	2.0	
BT40-BSB 50-165		50	90	210	225	180	40	44		85	13	2.5	
-BSB 50-210												3.0	
BT40-BSB 62-165	3	62	115	165	180	135	50	-	M10	-	16	3.5	
-BSB 62-225	2			225	240	195		56		95		5.0	
BT40-BSB 72-165	3	72	135	165	180	-	60	-		M12	-	19	4.5
-BSB 72-225				225	240						-		-
BT40-BSB 90-165	4	90	150	165	180	-	75	-	60		5.0		
-BSB 90-210				210	225				-		-		6.0
BT50-BSB 25-135	1	25	52	135	150	92	20	22	M 8	50	8	4.3	
BT50-BSB 38-180		38	70	180	195	137	30	32		70	10	4.6	
BT50-BSB 50-180		50	90	180	195	137	40	44		85	13	5.5	
-BSB 50-240												5.8	
BT50-BSB 62-195	2	62	115	195	210	152	50	56	M10	95	16	6.4	
-BSB 62-270				270	285	227				7.8			
BT50-BSB 72-195	2	72	135	195	210	152	60	66		110	19	7.3	
-BSB 72-285				285	300	242				9.6			
BT50-BSB 90-210	2	90	150	210	225	167	75	80	130	9.7			
-BSB 90-300				300	315	257			12.8				
BT50-BSB105-195	3	105	190	195	210	-	90	-	M12	-	25	11.4	
-BSB105-285	2			285	300					94		15.7	
BT50-BSB130-255	4	130	260	255	270	-	110	-		60	14.1		