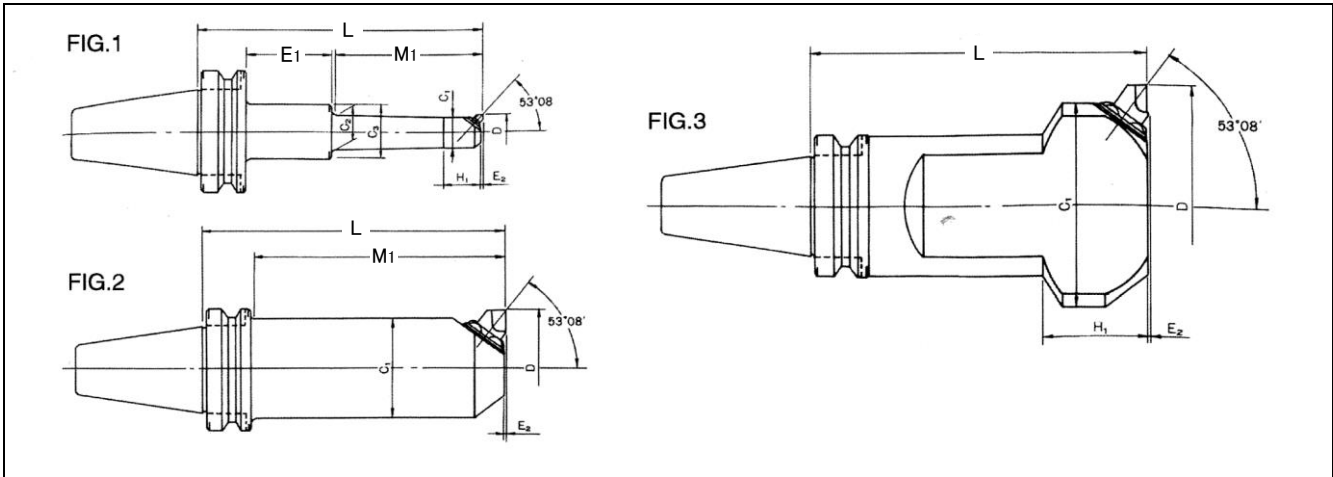




# ATC 用ボーリングバー カートリッジ式 A 型 (BCA) BT40 . BT45



ご注文時は、UNIT CODEにて E(鉄用)orF(鉄/用) のいずれかのマイクロユニットチップをご選定下さい。

CODE	FIG.	D		L	M1	C1	C2	C3	H1	E1	E2	UNIT CODE	質量 kg						
		MIN	MAX																
BT40-BCA13. 5-105	1	13.5	16.0	105	67	12	13	44	15	8		M1B212EorM1B212F	1.5						
-BCA13. 5-165				165									12	14	68	2.0			
BT40-BCA14. 5-105		14.5	17.0	105	73	14	15						8	1.5					
-BCA14. 5-165				165									18	68	2.0				
BT40-BCA16 -105		16.0	22.5	105	86	16	18	23	2	1.5									
-BCA16 -180				180					77	2.0									
BT40-BCA19 -120		19.0	23.0	120	105	19	22	-	4	1.5									
-BCA19 -180				180					64	2.0									
BT40-BCA23 -135		23.0	29.0	135	115	25	28	44	30	-	1.5								
-BCA23 -195				195						60	2.0								
BT40-BCA29 -150		29.0	41.0	150	115	25	28	44	30	5	1.5								
-BCA29 -195				195						50	2.0								
BT40-BCA38 -150		38.0	49.0	150	172	33	35	44	41	5	2.0								
-BCA38 -210				210						37	8								
BT40-BCA46 -150		46.0	66.0	150	115	38	41	55	45	5	2.5								
-BCA46 -225				225						44	13	3.0							
BT40-BCA62 -165	2	62.0	87.0	165	135	51	-	-	-	-	-	-	3.5						
-BCA62 -225	1			225	184								57	62	60	11	4.5		
BT40-BCA83 -120	2	83.0	108.0	120	-	63	-	-	-	-	-	-	M7A2EorM7A2F	3.5					
-BCA83 -165				165										63	-	-	-	-	4.5
-BCA83 -225				225										75	-	-	-	-	6.0
BT40-BCA98 -165	3	98.0	142.0	165	75	75	50	50	50	50	50	50	6.0						
※ BT45-BCA13. 5-105	1	13.5	16.0	105	67	12	13	44	15	9		M1A212EorM1A212F	2.3						
※ BT45-BCA14. 5-105				14.5									17.0	105	14	15	15	2.0	
※ BT45-BCA16 -120		16.0	22.5	120	73	14	15						44	18	9	11	M1A212EorM1A212F	2.5	
※ BT45-BCA19 -135				19.0														23.0	135
※ BT45-BCA23 -150		23.0	29.0	135	86	16	18	44	23	11	12	M2B212EorM2B212F	2.5						
※ BT45-BCA29 -165				19.0									23.0	135	86	16	18	23	11
※ BT45-BCA23 -150		23.0	29.0	150	105	19	22	44	24	7	12	M3B2EorM3B2F	3.0						
※ BT45-BCA29 -165				29.0									41.0	165	115	25	28	30	12
※ BT45-BCA38 -165		38.0	49.0	165	172	33	35	55	41	-	-	M5B2EorM5B2F	3.5						
-BCA38 -210				210									37	55	41	-	-	-	
※ BT45-BCA46 -165		46.0	66.0	165	115	38	41	55	45	12	12	M5A2EorM5A2F	4.0						
-BCA46 -225				225									182	38	44	-	-	-	-
※ BT45-BCA62 -180		2	62.0	87.0	180	137	51	-	-	-	-	-	-	M7A2EorM7A2F	5.5				
-BCA62 -225		1			225	184									57	70	60	70	7.0
※ BT45-BCA83 -165		2	83.0	108.0	165	122	63	-	-	-	-	-	-	M7A2EorM7A2F	5.5				
-BCA83 -240		1			240	190									70	-	70	7.0	
※ BT45-BCA98 -165	2	98.0	142.0	165	122	83	-	-	-	-	-	-	M10A2EorM10A2F	8.0					
-BCA98 -240				240	197									83	-	-	-	11.0	