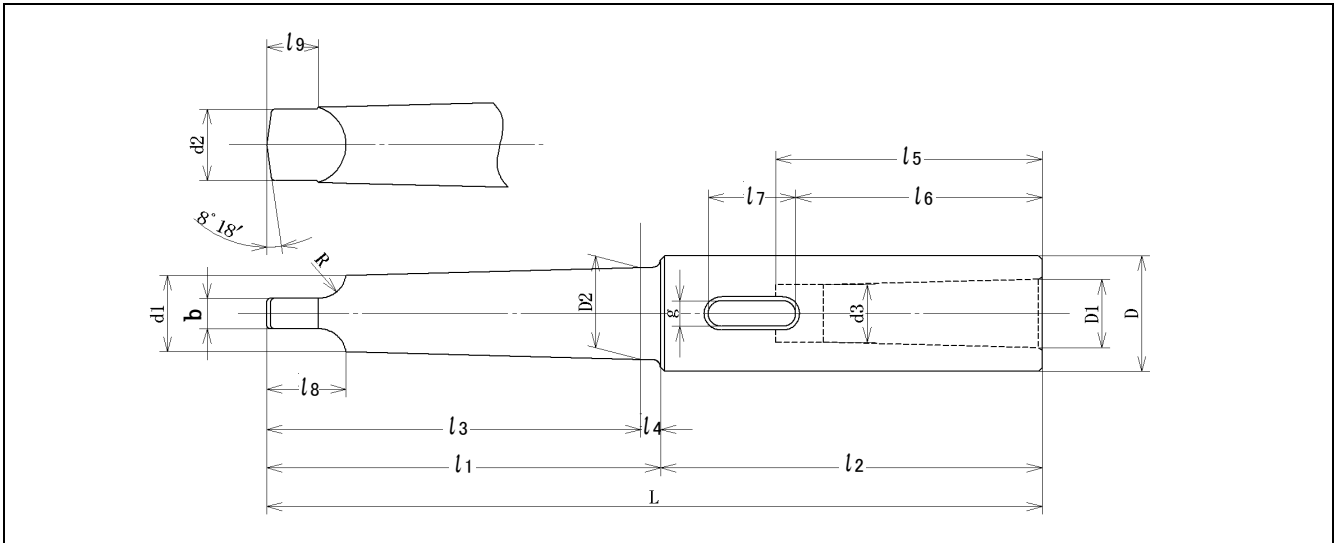


ドリルソケット

焼入研磨品



呼び 内側テーパ ×外側テーパ	D	D1	D2	d1	d2	d3	g	b	L	l1	l2	l3	l4	l5	l6	l7	l8	l9	R
1 × 1	20	12.065	12.065	9.0	8.7	9.7	5.4	5.2	147	65.5	81.5	62.0	3.5	56	52	19	13.5	8.5	5
1 × 2			17.780	14.0	13.5			6.3	160	80.0	80.0	75.0	5.0				16	10	6
1 × 3			23.825	19.1	18.5			7.9	180	99.0	81.0	94.0	6.5				20	13	7
1 × 4			31.267	25.2	24.5			11.9	200	124.0	76.0	117.5	24				16	8	
1 × 5			44.399	35.5	35.7			15.9	235	156.0	79.0	149.5	29				19	10	
2 × 1	24	17.780	12.065	9.0	8.7	14.9	6.6	5.2	163	65.5	97.5	62.0	3.5	67	62	22	13.5	8.5	5
2 × 2			17.780	14.0	13.5			6.3	176	80.0	75.0	5.0	16				10	6	
2 × 3			23.825	19.1	18.5			7.9	195	99.0	96.0	94.0	6.5				20	13	7
2 × 4			31.267	25.2	24.5			11.9	220	124.0	117.5	24	16				8		
2 × 5			44.399	36.5	35.7			15.9	253	156.0	97.0	149.5	29				19	10	
3 × 1	32	23.825	12.065	9.0	8.7	20.2	8.2	5.2	182	65.5	116.5	62.0	3.5	84	78	27	13.5	8.5	5
3 × 2			17.780	14.0	13.5			6.3	196	80.0	75.0	5.0	16				10	6	
3 × 3			23.825	19.1	18.5			7.9	215	99.0	116.0	94.0	6.5				20	13	7
3 × 4			31.267	25.2	24.5			11.9	240	124.0	117.5	24	16				8		
3 × 5			44.399	36.5	35.7			15.9	273	156.0	117.0	149.5	6.5				29	19	10
3 × 6			63.348	52.4	51.0			19.0	335	218.0	117.0	210.0	8.0				40	27	13
4 × 2	44	31.267	17.780	14.0	13.5	26.5	12.2	6.3	221	80.0	141.0	75.0	5.0	107	98	32	16	10	6
4 × 3			23.825	19.1	18.5			7.9	240	99.0	141.0	94.0	6.5				20	13	7
4 × 4			31.267	25.2	24.5			11.9	265	124.0	117.5	24	16				8		
4 × 5			44.399	36.5	35.7			15.9	298	156.0	142.0	149.5	6.5				29	19	10
4 × 6			63.348	52.4	51.0			19.0	360	218.0	142.0	210.0	8.0				40	27	13
5 × 3	54	44.399	23.825	19.1	18.5	38.2	16.2	7.9	275	99.0	176.0	94.0	5.0	135	125	38	20	13	7
5 × 4			31.267	25.2	24.5			11.9	300	124.0	176.0	117.5	6.5				24	16	8
5 × 5			44.399	36.5	35.7			15.9	333	156.0	177.0	149.5	6.5				29	19	10
5 × 6			63.348	52.4	51.0			19.0	395	218.0	177.0	210.0	8.0				40	27	13
6 × 4	84	63.348	31.267	25.2	24.5	54.8	19.5	11.9	359	124.0	235.0	117.5	6.5	188	177	47	24	16	8
6 × 5			44.399	36.5	35.7			15.9	391	156.0	235.0	149.5	6.5				29	19	10
6 × 6			63.348	52.4	51.0			19.0	453	218.0	235.0	210.0	8.0				40	29	13
6 × 7			83.058	68.2	66.8			28.6	530	296.0	234.0	286.0	10.0				54	35	19